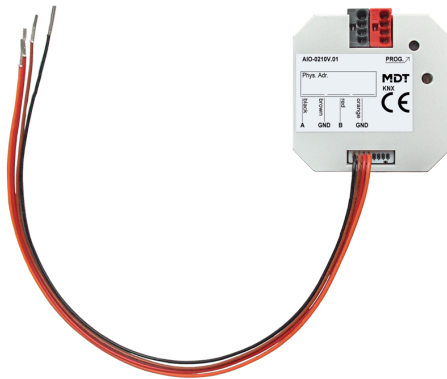


## AIO-0210V.01

KNX Analog I/O 2-channel, flush mounted, 0 - 10 V, switchable In-/Output



### Product description:

The MDT analogue input / output AIO is suitable for controlling devices with a 0-10 V input (e.g. ventilation systems) and for recording 0-20 mA (4-20 mA) / 0-10 V (2-10 V) measurement data (e.g. from fill level or pressure sensors). Each channel can be configured both as an input and as an output and is galvanically isolated from the KNX bus

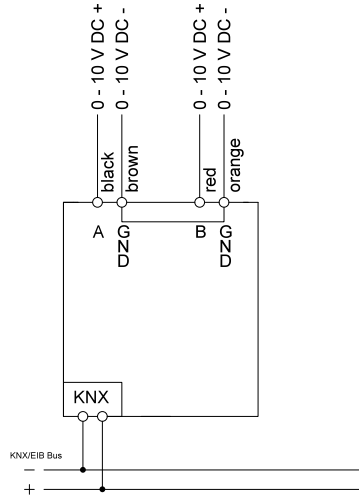
### Product functions:

- Each channel can be independently configured (in-/output)
- In-/output galvanically isolated from the KNX Bus
- In-/output have a common GND
- Voltage for output operation is generated in the actuator
- No external power supply required
- **Input mode:** Sensor type 0-10 V / 2-10 V or 0-20 mA / 4-20 mA (selectable), measured value scaling, adjustable data point types, min/max values, wire break detection, threshold value- and step control function
- **Output mode:** 0-10 V, selectable data point type, control input via 1 bit / 1 byte / 2 bytes, lock function, emergency mode, Day/Night function to limit the control value
- Installation in an installation box
- Dimensions (H x W x D): 41 x 41 x 12 mm
- Fast application download (long frame support as of ETS 5)
- 3 year warranty

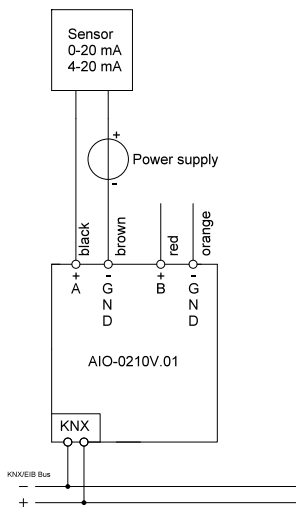
## Technical data:

<b>Device</b>	Device type	AIO Analog Actuator
	Article Number	AIO-0210V.01
	EAN / GTIN	4251916130008
	Dimensions (H x W x D)	41 x 41 x 12 mm
	Weight, gross (incl. packaging)	0.036 kg
	Protection classification	IP20
	Installation type	Flush mounted
	Installation position	any
	Weight, net	0.017 kg
	Number of channels	2
<b>Performance data</b>	Power dissipation of the device, typical	≤ 2 W
<b>Inputs</b>	Input voltage	0 ... 10 V, 2 ... 10 V
	Internal resistance	130 kΩ
	Current loop	0 ... 20 mA, 4 ... 20 mA
	Resistance (Burden)	266 kΩ
<b>Outputs</b>	Output voltage	0 ... 10 V
	Output current	2 mA
	Minimum resistance at the output	5 kΩ
<b>KNX</b>	Nominal voltage KNX	30 V DC SELV
	Voltage range KNX	21 ... 31 V DC SELV
	Typical power consumption KNX bus	< 0,3 W
	KNX Medium	TP-256 with long frame support
	KNX Application	as of ETS 4
<b>Environmental conditions</b>	Ambient operating temperature	0 ... 45 °C
	Storage	-20 ... +55 °C
	Humidity	< 95 %
	Condensation permissible	No
<b>Connections</b>	Connection type	Connection wire 0.25 mm <sup>2</sup>
	Length of the connection cable	21 cm
	KNX connection type	KNX terminal
	KNX cable cross section	0.6 ... 0.8 mm, solid conductor

## Wiring diagram: 0 ... 10 V Input / Output



## Wiring diagram: 2-Pin Sensor



## Wiring diagram: 3-Pin Sensor

