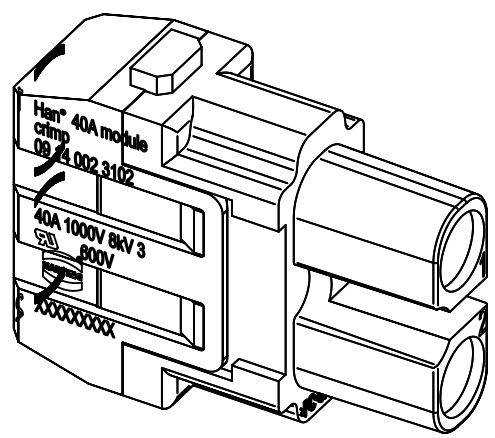
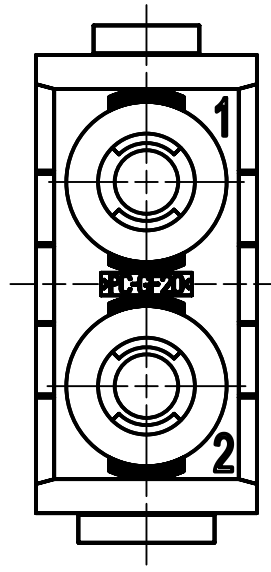
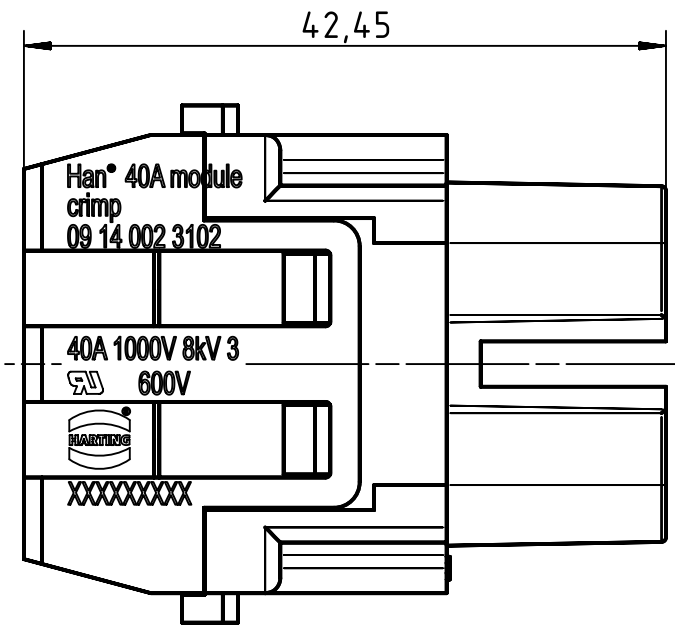
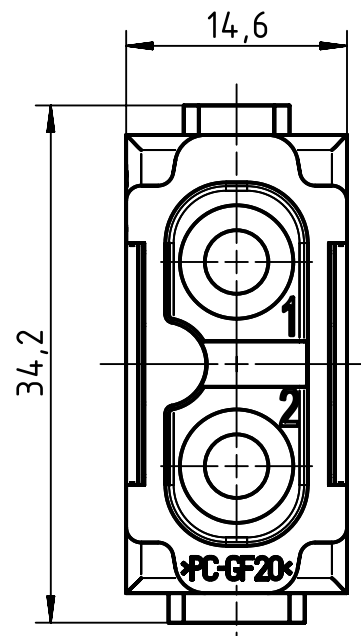


A

B

C

D



stripping length 10 mm² (AWG 8) for cable > 5 mm = 15 mm,
for cable > 6,4 mm = 18 mm

	All rights reserved Department EL PD - DE	All Dimensions in mm Original Size DIN A4		Scale 2:1	Free size tol.	Ref. Sub. TB 09 14 002 3102 v. 28.01.09	
		Created by HOLLERT	Inspected by SCHNIEDER	Standardisation TIEMANNA	Date 2014-10-27	State Final Release	
HARTING Electric GmbH & Co. KG D-32339 Espelkamp		Title Han 40A crimp module, female				Doc-Key / ECM-Nr. 100533579/UGD/001/B 500000081124	
		Type TB	Number 09 14 002 3102			Rev. B	Page 1/1